

Genuine Accessories



Vehicle Model **G80**
 Model Year 2017-
 Part No. B1012 ADU01
 Language English
 Rev. Date 8/10/2016

Accessory: **Reversible Cargo Tray**
 Difficulty: (A)

Note: Difficulty stated above reflects the minimum level of expertise required to install the accessory:
 (A) Customer
 (B) Dealer Technician
 (C) Master Technician or Specialist

Instructional Symbols / Definitions

	Denotes warnings that may lead to serious physical injury or vehicle damage		Denotes quality processes to be checked prior to moving to the next step	Denotes personal protective equipment (PPEs) that may be required for a step. Examples of safety equipment icons noted below:	
	Denotes cautions to be taken to avoid physical injury or electronic component damage		Denotes specific tools that are necessary to complete a step		
	Denotes cautions to be taken to avoid vehicle and component damage	N O T E	Denotes important information to be reviewed during the step		
				Glasses	Gloves
				Mask	Hearing Protection

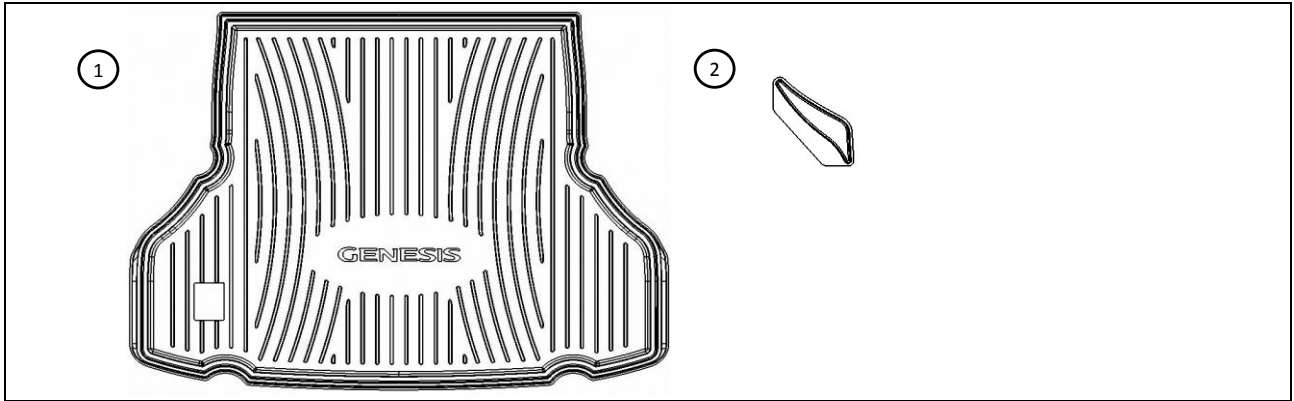
Basic Required Tools

None

Notes to the installer:


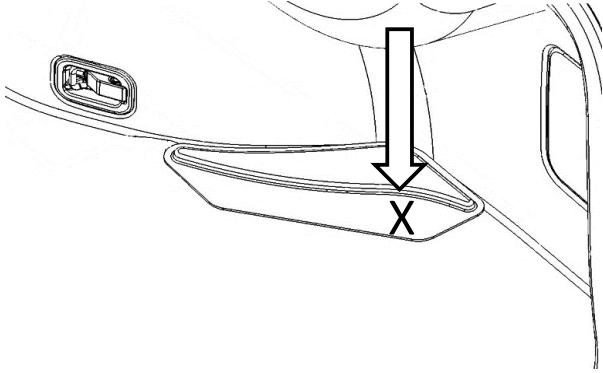
- 1 Read the entire Installation Instructions prior to beginning the installation of the part.
- 2 Make sure the vehicle is completely clean and dry in the area(s) the part is to be installed.
- 3 Ensure the vehicle is properly protected in the area(s) that the accessory is to be installed.
- 4 NEVER place tools on painted surfaces, seating surfaces, dash pad, console or floor carpet/mats.
- 5 Always wear appropriate personal protective equipment, including gloves, safety glasses, etc., when required.


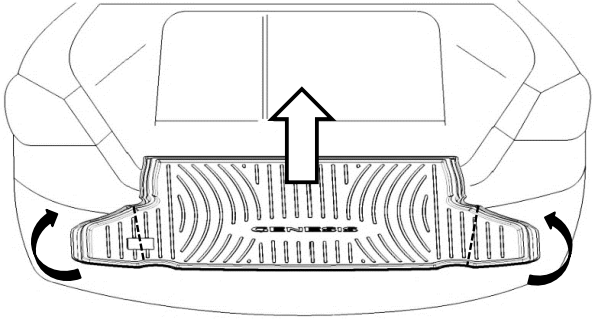

Kit Overview





No.	Qty	Description
1	1	Reversible Cargo Tray
2	1	Insert

Genuine Accessories

1		
		
N O T E	<ol style="list-style-type: none"> 1. Open the trunk lid. 2. Place the Insert on the floor against the passenger side wall behind the wheel well. 3. Massage where shown to ensure the securing pad on the bottom fully contacts the floor. 	

2		
		
N O T E	<ol style="list-style-type: none"> 1. Grasp the Reversible Cargo Tray by the rear (widest end) and fold in the sides sufficiently to slide into the trunk compartment. 2. The Reversible Cargo Tray may also be placed carpet side up if desired. 3. After installing the Reversible Cargo Tray, ensure all of the edges are pushed down against the floor. 	
	<p>Verify that the Reversible Cargo Tray is correct for the vehicle application and does not interfere with any vehicle components. Once installed, make sure it is properly positioned.</p>	

Visual Check

Item to be Checked	Result
 Make sure the Reversible Cargo Tray is properly positioned and fully pushed down on the floor.	The Reversible Cargo Tray is properly positioned.
 Make sure the Reversible Cargo Tray does not interfere with any of the rear cargo area functionality.	The rear cargo area is fully functional.

Care and Cleaning

The tray can be wiped, swept, lightly vacuumed, or cleaned with water or soap and water. Do not use petroleum-based solvents for cleaning.